



Figure 1

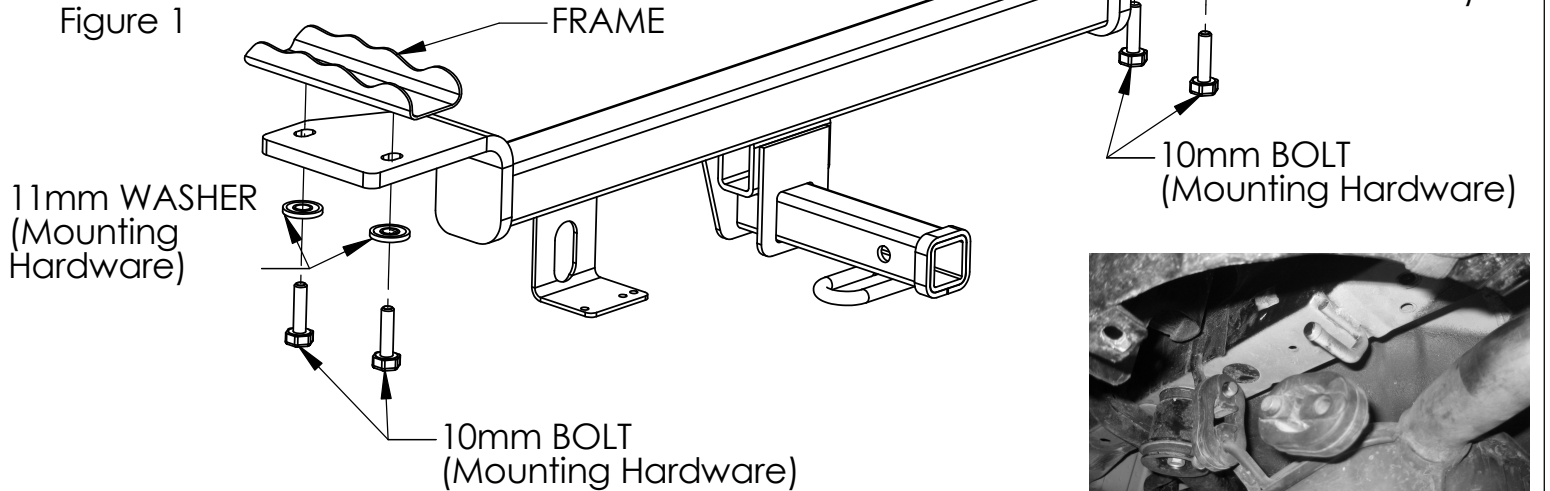


Figure 2

INSTALLATION INSTRUCTIONS

1. Raise vehicle for access to underside.
2. Remove the tie down bracket (see figure 1) by removing the 5 bolts (14mm socket) securing it to the frame. Apply a rust inhibitor (paint, undercoating, or equivalent) to the tie down mounting points on the frame from which the fasteners were removed.
3. Release the right rear most rubber exhaust hanger (see figure 2). On dual exhaust equipped vehicles, remove the exhaust hangers on both sides of the muffler.
4. Insert right hitch arm over exhaust pipe and slowly rotate hitch into position. Secure hitch by loosely installing bolts.
5. Push hitch forward against installed bolts. Tighten bolts to the following torque values: (A) 10mm bolts = 38 ft lbs (51 N-m). Attach all previously removed exhaust hangers

ASSEMBLY INCLUDES:

- SHIPPING CARTON
- HITCH ASSEMBLY
- MOUNTING ARMS (LT & RT)
- MOUNTING BRACKETS
- SPACERS
- BALL MOUNT ASSEMBLY (INCLUDING PIN & CLIP)

MOUNTING KIT:

- (A) 4 EA. HH Bolt - M10mm X 1.25 X 40 mm CL8.8
- (B) 4 EA. 11 mm Conical Washer

PACKAGE WEIGHT: 35 lbs.

NOTE: THIS HITCH MUST BE CHECKED PERIODICALLY TO ENSURE ALL FASTENERS ARE TIGHT AND THAT STRUCTURAL MEMBERS AND COMPONENTS ARE SOUND.

WEIGHT CLASSIFICATION

HITCH TYPE	MAX GROSS TRAILER WEIGHT	MAXIMUM TONGUE WEIGHT
WEIGHT CARRYING	2000	200

VEHICLE

KIA, SPORTAGE

38667N REV A

